

General Technical Characteristics 一般特性

Low losses, high stability, high insulation resistance
 低损耗, 高稳定性, 高绝缘电阻
 Small size, long life
 小体积, 长寿命
 Coated with flame-retardant epoxy resin.
 采用阻燃环氧树脂包封

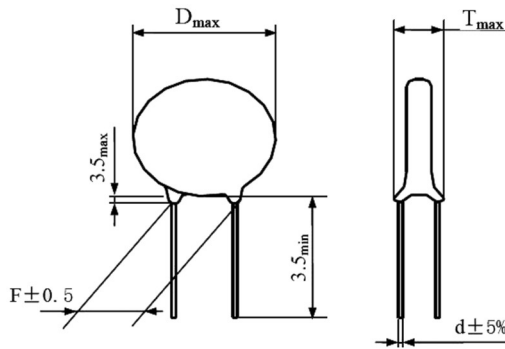
Typical Applications 典型应用

Used in peak value current and high repetition rates circuit.
 主要用于具有峰值电流及高重复率的电路。
 For points voltage protection, decoupling circuit, laser inspired, switching circuit, welding equipment, AC current limiting, dc energy storage, high frequency coupling, communication, DC filtering and so on.
 如: 高压倍压, 分压保护, 去耦电路, 激光激发, 切换电路, 焊接设备, 交流限流, 直流储能, 高频耦合, 交流, 直流滤波等场合。

Electrical Characteristics 电气特性

Rated Voltage 额定电压: 1KVDC ~ 30KVDC
 Capacitance Range 电容量范围: 10pF ~ 47000pF
 Capacitance Tolerance 电容量偏差: $\pm 5\%$ (J), $\pm 10\%$ (K), $\pm 20\%$ (M)
 Test Voltage 耐电压: $1KV \leq U_R \leq 2KV$, $2U_R$ for 1 min.
 $2KV < U_R \leq 8KV$, $(1.5 U_R + 500V)$ for 1 min.
 $8KV < U_R \leq 30KV$, $1.5 U_R$ for 1 min.

Outline Drawing 外形图



Part Number System 产品编码说明

<u>KCC81</u>	<u>2KV</u>	<u>UJ</u>	<u>100</u>	<u>K</u>	<u>08</u>
型号代码	额定电压	温度特性	容量	容量偏差	直径
Series Code:	Voltage:	Temperature Characteristics:	Capacitance:	Cap. Tol.:	Diameter:
KCC81: Class I	2KV	Code: UJ *	100: 10pF	J: $\pm 5\%$, K: $\pm 10\%$ M: $\pm 20\%$	08: 8mm
KCT81: Class II			101: 100pF		

*Temperature Characteristics 温度特性

Code 代号	Temperature Characteristics 温度特性	Max Capacitance Change 容量变化范围	Insulation Resistance 绝缘电阻 min (MΩ)	Dissipation Factor 损耗角正 max	Temperature Range 温度范围
UJ	UJ	-750~±120ppm/°C	100000	6×10^{-4}	-25~+85°C
SL	SL	-1000~+140ppm/°C	100000	6×10^{-4}	+25~+85°C
X	X5F	±7.5%	100000	1%	-40~+125°C
X7R	X7R	±10%	100000	1.50%	-40~+125°C
B	Y5P	±10%	100000	1.50%	-25~+85°C
DL	N4700	±28%	200000	0.2%	-25~+85°C
D	Y5T	+22~-33%	100000	1%	-25~+85°C
E	Y5U	+20~-55%	10000	2%	-25~+85°C
F	Y5V	+30~-82%	10000	2%	-25~+85°C
R	Y5R	±15%	10000	2%	-25~+85°C
DL	DL	-3300±500ppm/°C	200000	0.2%	+25~+85°C

CC81 / CT81 series / High Voltage Ceramic Disc Capacitor

■ Electrical Specification & Part Numbers Reference 规格型号参考 (mm)

Capacitance	TOL. %	2KV				Ceramic	Part Number
		D	T	F	d		
10pF	10	8	4	5	0.6	UJ	KCC812KVUJ100K08
15pF	10	8	4	5	0.6	UJ	KCC812KVUJ150K08
22pF	10	8	4	5	0.6	SL	KCC812KVSL220K08
27pF	10	8	4	5	0.6	SL	KCC812KVSL270K08
33pF	10	8	4	5	0.6	SL	KCC812KVSL330K08
47pF	10	8	4	5	0.6	SL	KCC812KVSL470K08
56pF	10	8	4	5	0.6	SL	KCC812KVSL560K08
68pF	10	8	4	5	0.6	SL	KCC812KVSL680K08
100pF	10	8	4	5	0.6	SL	KCC812KVSL101K08
150pF	10	12	4	9.5	0.6	SL	KCC812KVSL151K12
220pF	10	12	4	9.5	0.6	SL	KCC812KVSL221K12
330pF	10	14	4	9.5	0.6	SL	KCC812KVSL331K14
470pF	10	16	4	9.5	0.6	SL	KCC812KVSL471K16
560pF	10	18	4	9.5	0.6	SL	KCC812KVSL561K18
100pF	10	8	4	5	0.6	X5F	KCT812KVX101K08
100pF	10	6	4	5	0.6	N4700	KCT812KVDL101K06
220pF	10	8	4	5	0.6	X5F	KCT812KVX221K08
220pF	10	8	4	5	0.6	N4700	KCT812KVDL221K08
270pF	10	8	4	5	0.6	N4700	KCT812KVDL271K08
330pF	10	8	4	5	0.6	N4700	KCT812KVDL331K08
330pF	10	8	4	5	0.6	Y5R	KCT812KVR331K08
470pF	10	8	4	5	0.6	N4700	KCT812KVDL471K08
470pF	10	8	4	5	0.6	Y5R	KCT812KVR471K08
560pF	10	8	4	5	0.6	N4700	KCT812KVDL561K08
560pF	10	8	4	5	0.6	Y5R	KCT812KVR561K08
680pF	10	10	4	7.5	0.6	N4700	KCT812KVDL681K10
680pF	10	8	4	5	0.6	Y5R	KCT812KVR681K08
1000pF	10	10	4	7.5	0.6	N4700	KCT812KVDL102K10
1000pF	10	9	4	7.5	0.6	Y5R	KCT812KVR102K09
2200pF	10	14	4	9.5	0.6	N4700	KCT812KVDL222K14
2200pF	10	12	4	9.5	0.6	Y5R	KCT812KVR222K12
2200pF	20	8	4	5	0.6	Y5U	KCT812KVE222M08
2700pF	10	17	4	9.5	0.65	N4700	KCT812KVDL272K17
2700pF	10	14	4	9.5	0.6	Y5T	KCT812KVD272K14
2700pF	20	8	4	5	0.6	Y5U	KCT812KVE272M08
3300pF	10	17	4	9.5	0.65	N4700	KCT812KVDL332K17
3300pF	10	14	4	9.5	0.6	Y5T	KCT812KVD332K14
3300pF	20	8	4	5	0.6	Y5U	KCT812KVE332M08
4700pF	10	18	4	9.5	0.65	Y5R	KCT812KVR472K18
4700pF	10	14	4	9.5	0.6	Y5T	KCT812KVD472K14
4700pF	20	10	4	9.5	0.6	Y5U	KCT812KVE472M10
10000pF	10	20	4	9.5	0.8	Y5T	KCT812KVD103K20
10000pF	20	16	4	9.5	0.6	Y5U	KCT812KVE103M16
10000pF	20	14	4	9.5	0.6	Y5V	KCT812KVF103M14

Remark: Customization for special specification and requirement is available.

■ Electrical Specification & Part Numbers Reference 规格型号参考 (mm)

Capacitance	TOL. %	3KV				Ceramic	Part Number
		D	T	F	d		
10pF	10	8	4.5	5	0.6	UJ	KCC813KVUJ100K08
15pF	10	8	4.5	5	0.6	UJ	KCC813KVUJ150K08
22pF	10	8	4.5	5	0.6	SL	KCC813KVSL220K08
27pF	10	8	4.5	5	0.6	SL	KCC813KVSL270K08
33pF	10	8	4.5	5	0.6	SL	KCC813KVSL330K08
47pF	10	8	4.5	5	0.6	SL	KCC813KVSL470K08
56pF	10	8	4.5	5	0.6	SL	KCC813KVSL560K08
68pF	10	8	4.5	5	0.6	SL	KCC813KVSL680K08
100pF	10	8	4.5	5	0.6	SL	KCC813KVSL101K08
150pF	10	12	4.5	9.5	0.6	SL	KCC813KVSL151K12
220pF	10	12	4.5	9.5	0.6	SL	KCC813KVSL221K12
330pF	10	14	4.5	9.5	0.6	SL	KCC813KVSL331K14
470pF	10	16	4.5	9.5	0.65	SL	KCC813KVSL471K16
470pF	10	16	4.5	9.5	0.65	SL	KCC813KVSL471K16
560pF	10	18	4.5	9.5	0.65	SL	KCC813KVSL561K18
100pF	10	8	4.5	5	0.6	X5F	KCT813KVX101K08
100pF	10	6	4.5	5	0.6	N4700	KCT813KVDL101K06
220pF	10	8	4.5	5	0.6	X5F	KCT813KVX221K08
220pF	10	6	4.5	5	0.6	N4700	KCT813KVDL221K06
270pF	10	8	4.5	5	0.6	N4700	KCT813KVDL271K08
330pF	10	8	4.5	5	0.6	N4700	KCT813KVDL331K08
330pF	10	8	4.5	5	0.6	Y5R	KCT813KVR331K08
470pF	10	8	4.5	5	0.6	N4700	KCT813KVDL471K08
470pF	10	8	4.5	5	0.6	Y5R	KCT813KVR471K08
560pF	10	8	4.5	5	0.6	N4700	KCT813KVDL561K08
560pF	10	8	4.5	5	0.6	Y5R	KCT813KVR561K08
680pF	10	10	4.5	7.5	0.6	N4700	KCT813KVDL681K10
680pF	10	8	4.5	5	0.6	Y5R	KCT813KVR681K08
1000pF	10	10	4.5	7.5	0.6	N4700	KCT813KVDL102K10
1000pF	10	10	4.5	7.5	0.6	Y5R	KCT813KVR102K10
2200pF	10	14	4.5	9.5	0.6	N4700	KCT813KVDL222K14
2200pF	10	14	4.5	9.5	0.6	Y5R	KCT813KVR222K14
2200pF	20	8	4.5	5	0.6	Y5U	KCT813KVE222M08
2700pF	10	17	4.5	9.5	0.65	N4700	KCT813KVDL272K17
2700pF	10	14	4.5	9.5	0.6	Y5T	KCT813KVD272K14
2700pF	20	8	4.5	5	0.6	Y5U	KCT813KVE272M08
3300pF	10	17	4.5	9.5	0.65	N4700	KCT813KVDL332K17
3300pF	10	14	4.5	9.5	0.6	Y5T	KCT813KVD332K14
3300pF	20	8	4.5	5	0.6	Y5U	KCT813KVE332M08
4700pF	10	18	4.5	9.5	0.6	Y5R	KCT813KVR472K18
4700pF	10	14	4.5	9.5	0.6	Y5T	KCT813KVD472K14
4700pF	20	10	4.5	9.5	0.6	Y5U	KCT813KVE472M10
10000pF	10	20	4.5	9.5	0.8	Y5T	KCT813KVD103K20
10000pF	20	17	4.5	9.5	0.65	Y5U	KCT813KVE103M17
10000pF	20	14	4.5	9.5	0.6	Y5V	KCT813KVF103M14

Remark: Customization for special specification and requirement is available.

■ Electrical Specification & Part Numbers Reference 规格型号参考 (mm)

Capacitance	TOL. %	6KV				Ceramic	Part Number
		D	T	F	d		
10pF	10	8	5	9.5	0.6	UJ	KCC816KVUJ100K08
22pF	10	8	5	9.5	0.6	UJ	KCC816KVUJ220K08
33pF	10	8	5	9.5	0.6	UJ	KCC816KVUJ330K08
47pF	10	9	5	9.5	0.6	UJ	KCC816KVUJ470K09
100pF	10	9	6	9.5	0.6	X5F	KCT816KVX101K09
100pF	10	6	4	5	0.5	N4700	KCT816KVDL101K06
220pF	10	10	5	9.5	0.6	X5F	KCT816KVX221K10
220pF	10	8	6	9.5	0.6	N4700	KCT816KVDL221K08
330pF	10	10	5	9.5	0.6	N4700	KCT816KVDL331K10
470pF	10	10	5	9.5	0.6	N4700	KCT816KVDL471K10
1000pF	10	12	6	9.5	0.6	Y5T	KCT816KVD102K12
1000pF	20	8	5	9.5	0.6	Y5U	KCT816KVE102M08
1000pF	20	6	6	10	0.6	Y5V	KCT816KVF102M06
2200pF	10	14	5	9.5	0.6	Y5T	KCT816KVD222K14
2200pF	20	10	5	9.5	0.6	Y5U	KCT816KVE222M10
2200pF	20	8	6	10	0.6	Y5V	KCT816KVF222M08
3300pF	20	12	5	9.5	0.6	Y5U	KCT816KVE332M12
3300pF	20	10	6	10	0.6	Y5V	KCT816KVF332M10
4700pF	20	14	5	9.5	0.6	Y5U	KCT816KVE472M14
4700pF	20	11	6	10	0.6	Y5V	KCT816KVF472M11
5600pF	20	12	6	10	0.7	Y5V	KCT816KVF562M12
6800pF	20	14	6	10	0.7	Y5V	KCT816KVF682M14
10000pF	20	23	6	12.5	0.8	Y5U	KCT816KVE103M23
10000pF	20	19	6	9.5	0.65	Y5V	KCT816KVF103M19
10000pF	20	16	6	10	0.7	Y5V	KCT816KVF103M16
22000pF	20	20	6	10	0.8	Y5V	KCT816KVF223M20
47000pF	20	24	6	10	0.8	Y5V	KCT816KVF473M24

Remark: Customization for special specification and requirement is available.

■ Electrical Specification & Part Numbers Reference 规格型号参考 (mm)

Capacitance	TOL. %	10KV				Ceramic	Part Number
		D	T	F	d		
10pF	10	8	7	10	0.7	SL	KCC8110KVSL100K08
15pF	10	8	7	10	0.7	SL	KCC8110KVSL150K08
22pF	10	8	7	10	0.7	SL	KCC8110KVSL220K08
33pF	10	9	7	10	0.7	SL	KCC8110KVSL330K09
33pF	10	8	7	10	0.7	DL	KCC8110KVDL330K08
47pF	10	10	7	10	0.7	SL	KCC8110KVSL470K10
47pF	10	8	7	10	0.7	DL	KCC8110KVDL470K08
56pF	10	8	7	10	0.7	DL	KCC8110KVDL560K08
68pF	10	12	7	10	0.7	SL	KCC8110KVSL680K12
68pF	10	8	7	10	0.7	DL	KCC8110KVDL680K08
82pF	10	9	7	10	0.7	DL	KCC8110KVDL820K09
100pF	10	14	7	10	0.7	SL	KCC8110KVSL101K14
100pF	10	10	7	10	0.7	DL	KCC8110KVDL101K10
100pF	10/20	8	8	10	0.7	Y5P	KCT8110KVB101K/M08
100pF	10	8	8	10	0.7	Y5T	KCT8110KVD101K08
100pF	10	6	7	10	0.65	N4700	KCT8110KVDL101K06
150pF	10	10	7	10	0.7	DL	KCC8110KVDL151K10
150pF	10/20	8	8	10	0.7	Y5P	KCT8110KVB151K/M08
150pF	10	8	8	10	0.7	Y5T	KCT8110KVD151K08
180pF	10/20	10	8	10	0.7	Y5P	KCT8110KVB181K/M10
220pF	10	12	7	10	0.7	DL	KCC8110KVDL221K12
220pF	10/20	10	8	10	0.7	Y5P	KCT8110KVB221K/M10
220pF	10	8	8	10	0.7	Y5T	KCT8110KVD221K08
250pF	10	11	7.5	10	0.65	N4700	KCT8110KVDL251K11
330pF	10/20	12	8	10	0.7	Y5P	KCT8110KVB331K/M12
330pF	10	12	7	10	0.65	N4700	KCT8110KVDL331K12
330pF	10	10	9	10	0.7	Y5T	KCT8110KVD331K10
470pF	10/20	12	8	10	0.7	Y5P	KCT8110KVB471K/M12
470pF	10	10	9	10	0.7	Y5T	KCT8110KVD471K10
500pF	20	8	8	10	0.7	Y5U	KCT8110KVE501M08
680pF	10/20	14	9	10	0.7	Y5P	KCT8110KVB681K/M14
680pF	10	12	9	10	0.7	Y5T	KCT8110KVD681K12
680pF	20	9	8	10	0.7	Y5U	KCT8110KVE681M09
1000pF	10/20	16	9	10	0.7	Y5P	KCT8110KVB102K/M16
1000pF	20	10	8	10	0.7	Y5U	KCT8110KVE102M10
1000pF	10	14	9	10	0.7	Y5T	KCT8110KVD102K14
1000pF	20	7	7	10	0.7	Y5V	KCT8110KVF102M07
1000pF	10	19	7	12.5	0.8	N4700	KCT8110KVDL102K19
1500pF	10	16	9	10	0.7	Y5T	KCT8110KVD152K16
1500pF	20	12	8	10	0.7	Y5U	KCT8110KVE152M12
2200pF	20	14	8	10	0.7	Y5U	KCT8110KVE222M14
2200pF	10	18	9	10	0.7	Y5T	KCT8110KVD222K18
2200pF	20	9	7	10	0.7	Y5V	KCT8110KVF222M09
3300pF	10	20	9	10	0.7	Y5T	KCT8110KVD332K20
3300pF	20	16	8	10	0.7	Y5U	KCT8110KVE332M16
3300pF	20	11	7	10	0.7	Y5V	KCT8110KVF332M11
4700pF	10	22	9	10	0.7	Y5T	KCT8110KVD472K22
4700pF	20	18	8	10	0.7	Y5U	KCT8110KVE472M18
4700pF	20	13	7	10	0.7	Y5V	KCT8110KVF472M13
5600pF	20	15	7	10	0.7	Y5V	KCT8110KVF562M15
6800pF	20	17	7	10	0.7	Y5V	KCT8110KVF682M17
10000pF	20	40	9	20	1.2	Y5T	KCT8110KVD103K40
10000pF	20	32	8	20	1.2	Y5U	KCT8110KVE103M32
10000pF	20	19	7	10	0.8	Y5V	KCT8110KVF103M19
22000pF	20	24	7	10	0.8	Y5V	KCT8110KVF223M24

Remark: Customization for special specification and requirement is available.

■ Electrical Specification & Part Numbers Reference 规格型号参考 (mm)

Capacitance	TOL. %	12KV				Ceramic	Part Number
		D	T	F	d		
10pF	10	8	8	10	0.7	SL	KCC8112KVSL100K08
15pF	10	8	8	10	0.7	SL	KCC8112KVSL150K08
22pF	10	9	8	10	0.7	SL	KCC8112KVSL220K09
33pF	10	8	8	10	0.7	DL	KCC8112KVDL330K08
33pF	10	10	8	10	0.7	SL	KCC8112KVSL330K10
47pF	10	8	8	10	0.7	DL	KCC8112KVDL470K08
47pF	10	11	8	10	0.7	SL	KCC8112KVSL470K11
68pF	10	10	8	10	0.7	DL	KCC8112KVDL680K10
68pF	10	13	8	10	0.7	SL	KCC8112KVSL680K13
82pF	10	12	8	10	0.7	DL	KCC8112KVDL820K12
100pF	10	12	8	10	0.7	DL	KCC8112KVDL101K12
100pF	10	15	8	10	0.7	SL	KCC8112KVSL101K15
100pF	10/20	9	10	10	0.7	Y5P	KCT8112KVB101K/M09
100pF	10	9	9	10	0.7	Y5T	KCT8112KVD101K09
150pF	10	14	8	10	0.7	DL	KCC8112KVDL151K14
150pF	10/20	10	10	10	0.7	Y5P	KCT8112KVB151K/M10
150pF	10	9	9	10	0.7	Y5T	KCT8112KVD151K09
180pF	10/20	10	10	10	0.7	Y5P	KCT8112KVB181K/M10
220pF	10	14	8	10	0.7	DL	KCC8112KVDL221K14
220pF	10/20	10	10	10	0.7	Y5P	KCT8112KVB221K/M10
220pF	10	9	9	10	0.7	Y5T	KCT8112KVD221K09
330pF	10/20	12	12	10	0.7	Y5P	KCT8112KVB331K/M12
330pF	10	10	9	10	0.7	Y5T	KCT8112KVD331K10
470pF	10/20	12	12	10	0.7	Y5P	KCT8112KVB471K/M12
470pF	10	11	9	10	0.7	Y5T	KCT8112KVD471K11
500pF	20	9	9	10	0.7	Y5U	KCT8112KVE501M09
680pF	10/20	14	10	10	0.7	Y5P	KCT8112KVB681K/M14
680pF	10	13	9	10	0.7	Y5T	KCT8112KVD681K13
680pF	20	10	9	10	0.7	Y5U	KCT8112KVE681M10
1000pF	10/20	16	10	10	0.7	Y5P	KCT8112KVB102K/M16
1000pF	10	15	9	10	0.7	Y5T	KCT8112KVD102K15
1000pF	20	11	9	10	0.7	Y5U	KCT8112KVE102M11
1500pF	10	17	9	10	0.7	Y5T	KCT8112KVD152K17
1500pF	20	13	9	10	0.7	Y5U	KCT8112KVE152M13
2200pF	10	19	9	10	0.7	Y5T	KCT8112KVD222K19
2200pF	20	15	9	10	0.7	Y5U	KCT8112KVE222M15
3300pF	20	17	9	10	0.7	Y5U	KCT8112KVE332M17
4700pF	20	19	9	10	0.7	Y5U	KCT8112KVE472M19

Remark: Customization for special specification and requirement is available.

■ Electrical Specification & Part Numbers Reference 规格型号参考 (mm)

Capacitance	TOL. %	15KV				Ceramic	Part Number
		D	T	F	d		
10pF	10	9	9	10	0.7	SL	KCC8115KVSL100K09
15pF	10	10	9	10	0.7	SL	KCC8115KVSL150K10
22pF	10	9	10	10	0.7	DL	KCC8115KVDL220K09
22pF	10	12	9	10	0.7	SL	KCC8115KVSL220K12
33pF	10	10	10	10	0.7	DL	KCC8115KVDL330K10
33pF	10	14	9	10	0.7	SL	KCC8115KVSL330K14
47pF	10	11	10	10	0.7	DL	KCC8115KVDL470K11
47pF	10	15	9	10	0.7	SL	KCC8115KVSL470K15
68pF	10	12	10	10	0.7	DL	KCC8115KVDL680K12
68pF	10	17	9	10	0.7	SL	KCC8115KVSL680K17
82pF	10	13	10	10	0.7	DL	KCC8115KVDL820K13
100pF	10	14	10	10	0.7	DL	KCC8115KVDL101K14
100pF	10	20	9	12.7	0.7	SL	KCC8115KVSL101K20
100pF	10/20	10	11	10	0.7	Y5P	KCT8115KVB101K/M10
100pF	10	9	10	12	0.7	Y5T	KCT8115KVD101K09
100pF	10	7	7	10	0.65	N4700	KCT8115KVDL101K07
150pF	10	16	10	10	0.7	DL	KCC8115KVDL151K16
150pF	10/20	10	11	10	0.7	Y5P	KCT8115KVB151K/M10
150pF	10	9	10	12	0.7	Y5T	KCT8115KVD151K09
180pF	10/20	10	11	10	0.7	Y5P	KCT8115KVB181K/M10
220pF	10/20	12	11	10	0.7	Y5P	KCT8115KVB221K/M12
220pF	10	10	10	12	0.7	Y5T	KCT8115KVD221K10
330pF	10/20	12	11	10	0.7	Y5P	KCT8115KVB331K/M12
330pF	10	10	10	12	0.7	Y5T	KCT8115KVD331K10
470pF	10/20	14	11	10	0.7	Y5P	KCT8115KVB471K/M14
470pF	10	12	10	12	0.7	Y5T	KCT8115KVD471K12
500pF	20	10	10	12	0.7	Y5U	KCT8115KVE501M10
500pF	10	17	10	15	1	N4700	KCT8115KVDL501K17
500pF	10	21	11	17.5	0.8	N4700	KCT8115KVDL501K21
680pF	10/20	16	11	12.7	0.7	Y5P	KCT8115KVB681K/M16
680pF	10	13	10	12	0.7	Y5T	KCT8115KVD681K13
680pF	20	11	10	12	0.7	Y5U	KCT8115KVE681M11
1000pF	10/20	18	12	12.7	0.7	Y5P	KCT8115KVB102K/M18
1000pF	10	15	10	12	0.7	Y5T	KCT8115KVD102K15
1000pF	20	12	10	12	0.7	Y5U	KCT8115KVE102M12
1000pF	20	8	8	12	0.7	Y5V	KCT8115KVF102M08
1000pF	10	21	8	12.5	0.8	N4700	KCT8115KVDL102K21
1000pF	10	17	7	12.5	0.8	X5F	KCT8115KVX102K17
1500pF	10	18	10	12	0.7	Y5T	KCT8115KVD152K18
2200pF	20	17	9	12.5	0.8	Y5U	KCT8115KVE222M17
2200pF	10	21	8	12.5	0.8	Y5T	KCT8115KVD222K21
2200pF	10	20	10	12	0.7	Y5T	KCT8115KVD222K20
2200pF	20	10	8	12	0.7	Y5V	KCT8115KVF222M10
2200pF	10	23	8	17.5	0.8	X7R	KCT8115KVX7R222K23
3300pF	20	19	8	12.5	0.8	Y5U	KCT8115KVE332M19
3300pF	20	12	8	12	0.7	Y5V	KCT8115KVF332M12
4700pF	20	21	8	12.5	0.8	Y5U	KCT8115KVE472M21
4700pF	20	14	8	12	0.7	Y5V	KCT8115KVF472M14
5600pF	20	16	8	12	0.7	Y5V	KCT8115KVF562M16
6800pF	20	18	8	12	0.7	Y5V	KCT8115KVF682M18
10000pF	20	32	9	20	1.2	Y5U	KCT8115KVE103M32
10000pF	20	27	9	20	1.2	Y5V	KCT8115KVF103M27
10000pF	20	20	8	12	0.8	Y5V	KCT8115KVF103M20
22000pF	20	26	8	12	0.8	Y5V	KCT8115KVF223M26

Remark: Customization for special specification and requirement is available.

■ Electrical Specification & Part Numbers Reference 规格型号参考 (mm)

Capacitance	TOL. %	20KV				Ceramic	Part Number
		D	T	F	d		
100pF	10	8	8	9.5	0.65	N4700	KCT8120KVDL101K08
150pF	10	10	8	9.5	0.65	N4700	KCT8120KVDL151K10
220pF	10	11	8	9.5	0.65	N4700	KCT8120KVDL221K11
330pF	10	9	7.5	9.5	0.65	Y5T	KCT8120KVD331K09
500pF	10	14	9	12.5	0.8	Y5T	KCT8120KVDL501K14
1000pF	10	21	8	12.5	0.8	N4700	KCT8120KVDL102K21
1000pF	10	14	7.5	12.5	0.8	Y5T	KCT8120KVD102K14
1000pF	20	10	7.5	9.5	0.65	Y5V	KCT8120KVF102M10
2200pF	20	21	8	12.5	0.8	Y5T	KCT8120KVD222M21
2200pF	20	17	9	12.5	0.8	Y5U	KCT8120KVF222M17
3300pF	20	27	9	20	1.2	Y5T	KCT8120KVD332M27
3300pF	20	21	9	12.5	0.8	Y5U	KCT8120KVE332M21
4700pF	20	32	10	20	1.2	Y5T	KCT8120KVD472M32
4700pF	20	27	11	20	1.2	Y5U	KCT8120KVE472M27
4700pF	20	21	11	17.5	0.8	Y5V	KCT8120KVF472M21
10000pF	20	43	11	20	1.2	Y5T	KCT8120KVD103M43
10000pF	20	26	12	20	1.2	Y5V	KCT8120KVF103M26

Capacitance	TOL. %	30KV				Ceramic	Part Number
		D	T	F	d		
100pF	10	10	9	12.5	0.8	N4700	KCT8130KVDL101K10
150pF	10	12	9	12.5	0.8	N4700	KCT8130KVDL151K12
220pF	10	12	9	12.5	0.8	N4700	KCT8130KVDL221K12
500pF	10	19	11	17.5	0.8	N4700	KCT8130KVDL501K19
1000pF	20	19	11	17.5	0.8	Y5T	KCT8130KVD102K19
2200pF	20	27	12	20	1.2	Y5T	KCT8130KVD222K27
2200pF	20	24	14	20	1.2	Y5U	KCT8130KVE222K24
2200pF	20	19	14	17.5	0.8	Y5V	KCT8130KVF222M19
3300pF	20	32	12	20	1.2	Y5T	KCT8130KVD332M32
5000pF	20	40	13	20	1.2	Y5T	KCT8130KVD502M40
6000pF	20	43	13	20	1.2	Y5T	KCT8130KVD602M43
10000pF	20	40	13	20	1.2	Y5U	KCT8130KVE103M40
10000pF	20	32	13	20	1.2	Y5V	KCT8130KVF103M32

Remark: Customization for special specification and requirement is available.